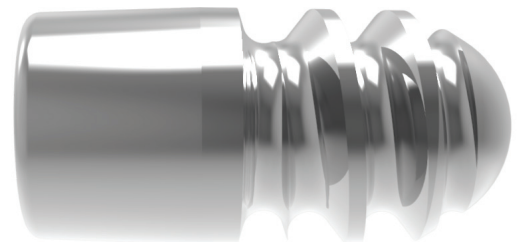
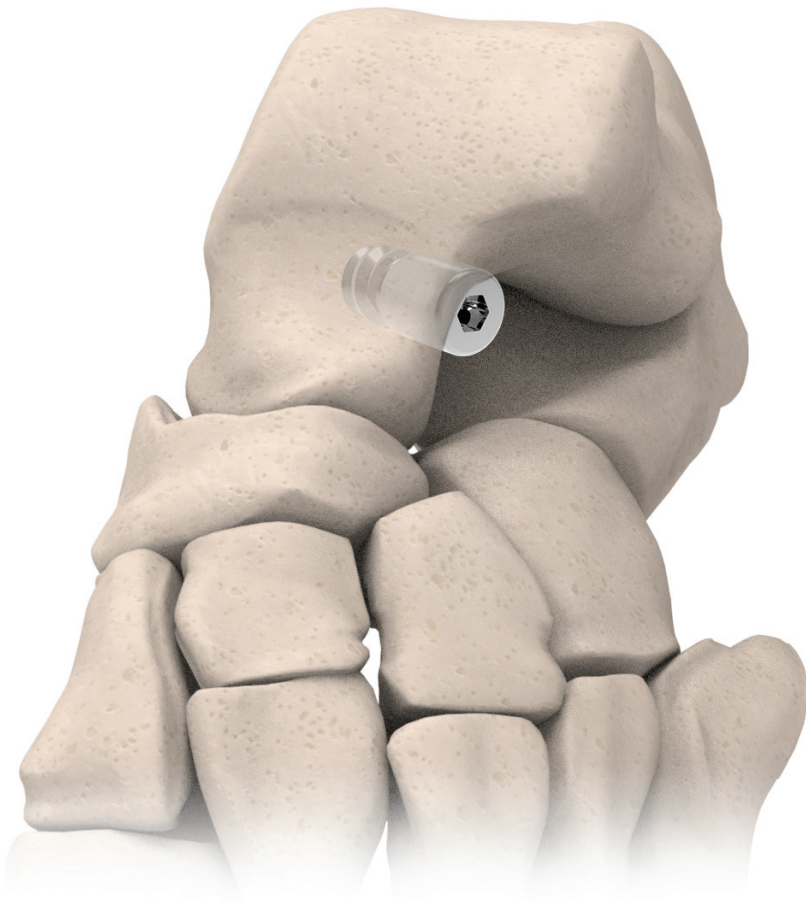


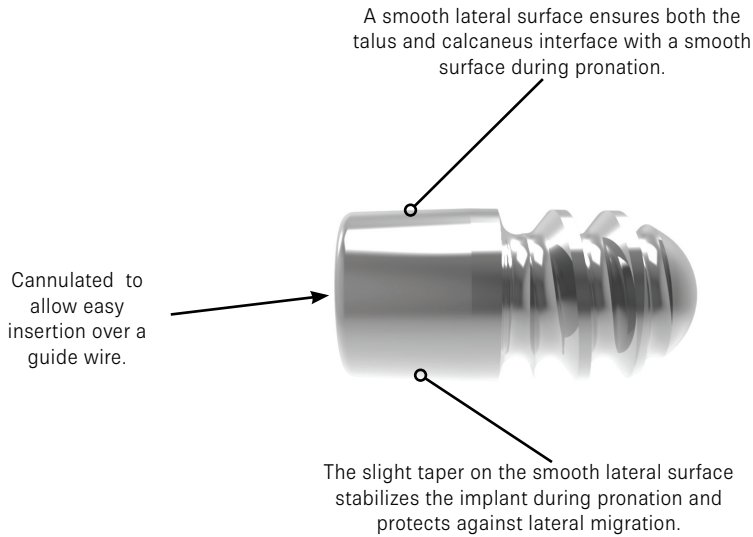
# Horizon<sup>®</sup> Subtalar

Conservative treatment of flatfoot and PTTD.<sup>1</sup>

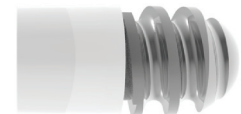
The BioPro Horizon<sup>®</sup> Subtalar Implant incorporates a smooth, slightly tapered lateral trailing edge; assuring that the talus makes contact with a smooth, flat surface when the foot is pronated, not a sharp thread.



## Horizon® Subtalar



	Specifications
<b>Material</b>	Titanium
<b>Length (mm)</b>	16.4
<b>Outer Diameter (mm)</b>	6*, 8, 9, 10, 11, 12



A hybrid design incorporates a polyethylene sleeve over the lateral portion of the implant, offering a softer, more forgiving surface to interface with the talus and calcaneus.

\*Only available in the standard design

1. Ozan, F., Doğar, F., Gençer, K., Koyuncu, Ş., Vatansever, F., Duygulu, F., & Altay, T. (2015). Symptomatic flexible flatfoot in adults: subtalar arthroereisis. *Therapeutics and Clinical Risk Management*, 11, 1597–1602. <http://doi.org/10.2147/TCRM.S90649>

This content is provided as an educational tool only and is not meant as medical advice in the usage of specific BioPro products. A healthcare professional must use their professional judgment in making any final determinations in product usage and technique. The product's Instructions for Use, should always be reviewed prior to surgery. Postoperative management is patient-specific and dependent on the treating professional's assessment. Individual results will vary and not all patients will experience the same postoperative activity level or outcomes. This information does not constitute medical, legal, or any other type of professional advice and should not be relied upon as such. It is not to be redistributed, duplicated, or disclosed without the express written consent of BioPro, Inc.



BioPro, Inc.  
2929 Lapeer Road, Port Huron, MI 48060, USA  
info@bioproimplants.com | 1-810-982-7777  
[www.bioproimplants.com](http://www.bioproimplants.com)

